

Seal here

DID YOU REMEMBER

- ... to sign your cheque?
- ... to indicate the account number(s) on the back of your cheque?
- ... to enclose the payment slip together with your cheque?

fold here

Postage will be paid by addressee.
For posting in Singapore only.

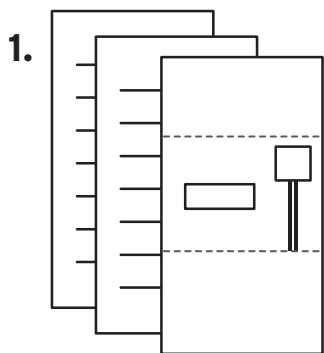
**BUSINESS REPLY SERVICE
PERMIT NO. 02064**



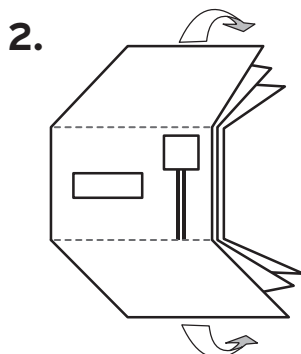
UNITED OVERSEAS BANK LIMITED
UOB Cards and Payments
Robinson Road P.O. Box 1688
Singapore 903338

fold here

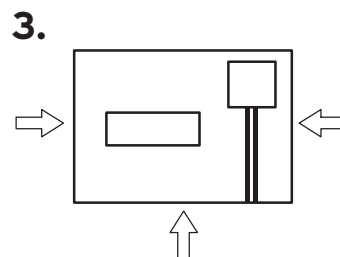
How to use the Business Reply Envelope (BRE)



1. Place all required documents together, with the BRE on top.



2. Fold inwards along the dotted lines as indicated.



3. Seal along edges with clear tape.

Seal here

Seal here

Seal here